

BRITISH STANDARD

**BS EN ISO
13478 : 1997
BS 2782 :
Part 11 :
Method 1109R :
1997**

**Thermoplastics pipes for the
conveyance of fluids —
Determination of resistance to
rapid crack propagation
(RCP) —
Full-scale test**

The European Standard EN ISO 13478 : 1997 has the status of a
British Standard

ICS 23.040.20

NO COPYING WITHOUT BSI PERMISSION EXCEPT AS PERMITTED BY COPYRIGHT LAW



[MEHR AB HAYAT SANAAT KERMAN
www.MAHCOpipe.com](http://www.MAHCOpipe.com)

National foreword

This British Standard is the English language version of EN ISO 13478 : 1997. It is identical with ISO 13478 : 1997.

It is incorporated into BS 2782, *Methods of testing plastics*, Part 11 : *Thermoplastics pipes, fittings and valves*, as Method 1109R : 1997 for association with related test methods for plastics materials and plastics piping components.

The UK participation in its preparation was entrusted to Technical Committee PRI/61, Plastics piping systems and components, which has the responsibility to:

- aid enquirers to understand the text;
- present to the responsible international/European committee any enquiries on the interpretation, or proposals for change, and keep the UK interests informed;
- monitor related international and European developments and promulgate them in the UK.

A list of organizations represented on this committee can be obtained on request to its secretary.

Cross-references

Attention is drawn to the fact that CEN and CENELEC Standards normally include an annex which lists normative references to international publications with their corresponding European publications. The British Standards which implement these international or European publications may be found in the BSI Standards Catalogue under the section entitled 'International Standards Correspondence Index', or using the 'Find' facility of the BSI Standards Electronic Catalogue.

Warning note 1. In the light of clause 4, Principle, and of the notes 1 and 2 which follow clause 6, the BSI Technical Committee considers that, when setting test parameters in accordance with clause 5, the referring product standard may specify the use of a pipe size, pressurizing gas (or water+air) and test pressure which could result in very substantial energy release on failure, such that not only may failed test piece materials and adjacent gravel be projected accordingly, as indicated in note 1 following 10.2, but that a serious risk of fire or explosion may also arise if the pressurized gas is a fuel gas such as natural gas. The BSI Technical Committee considers that any arrangements made to check conformity of the temperatures of the test fluid, the test pipe or the ligament coolant (see 10.2 and associated notes) or to initiate cracking in accordance with 10.3 should not require personnel to approach the vicinity of the pressurized pipe.

Warning note 2. This British Standard, which is identical with ISO 13478 : 1997, does not necessarily detail all the precautions necessary to meet the requirements of the Health and Safety at Work etc. Act 1974. Attention should be paid to any appropriate safety precautions and the method should be operated only by trained personnel.

Compliance with a British Standard does not of itself confer immunity from legal obligations.

Summary of pages

This document comprises a front cover, an inside front cover, the EN ISO title page, the EN ISO foreword page, the ISO title page, page ii, pages 1 to 11, a blank page, an inside back cover and a back cover.

Amendments issued since publication

Amd. No.	Date	Text affected

This British Standard, having been prepared under the direction of the Sector Board for Materials and Chemicals, was published under the authority of the Standards Board and comes into effect on 15 September 1997

© BSI 1997

ISBN 0 580 28014 4

EUROPEAN STANDARD

EN ISO 13478

NORME EUROPÉENNE

EUROPÄISCHE NORM

May 1997

ICS 23.040.20

Descriptors: see ISO document

English version

**Thermoplastics pipes for the conveyance of fluids
- Determination of resistance to rapid crack
propagation (RCP) - Full-scale test (FST)
(ISO 13478:1997)**

Tubes en matières thermoplastiques pour le transport des fluides - Détermination de la résistance à la propagation rapide de la fissure (RCP) - Essai grandeur nature (FST) (ISO 13478:1997)

Rohre aus Thermoplasten für den Transport von Fluiden - Bestimmung des Widerstandes gegenüber schneller Rißfortpflanzung - Praxistest (FST) (ISO 13478:1997)

This European Standard was approved by CEN on 1997-03-18. CEN members are bound to comply with the CEN/CENELEC Internal Regulations which stipulate the conditions for giving this European Standard the status of a national standard without any alteration.

Up-to-date lists and bibliographical references concerning such national standards may be obtained on application to the Central Secretariat or to any CEN member.

The European Standards exist in three official versions (English, French, German). A version in any other language made by translation under the responsibility of a CEN member into its own language and notified to the Central Secretariat has the same status as the official versions.

CEN members are the national standards bodies of Austria, Belgium, Czech Republic, Denmark, Finland, France, Germany, Greece, Iceland, Ireland, Italy, Luxembourg, Netherlands, Norway, Portugal, Spain, Sweden, Switzerland and United Kingdom.



Central Secretariat: rue de Stassart,36 B-1050 Brussels

© 1997 CEN - All rights of exploitation in any form and by any means reserved worldwide for CEN national Members.

Ref. No. EN ISO 13478:1997 E

MEHR AB HAYAT SANAAT KERMAN
www.MAHCOpipe.com

EN ISO 13478 : 1997**Foreword**

The text of the International Standard ISO 13478:1997 has been prepared by Technical Committee ISO/TC 138 "Plastics pipes, fittings and valves for the transport of fluids" in collaboration with Technical Committee CEN/TC 155 "Plastics piping systems and ducting systems", the secretariat of which is held by NNI.

This European Standard shall be given the status of a national standard, either by publication of an identical text or by endorsement, at the latest by November 1997, and conflicting national standards shall be withdrawn at the latest by November 1997.

According to the CEN/CENELEC Internal Regulations, the national standards organizations of the following countries are bound to implement this European Standard: Austria, Belgium, Czech Republic, Denmark, Finland, France, Germany, Greece, Iceland, Ireland, Italy, Luxembourg, Netherlands, Norway, Portugal, Spain, Sweden, Switzerland and the United Kingdom.

Endorsement notice

The text of the International Standard ISO 13478:1997 was approved by CEN as a European Standard without any modification.

The logo for MAHCO, featuring a large, stylized blue 'M' and 'C' that form a partial frame around the word 'MAHCO' written in a bold, blue, sans-serif font below them.

INTERNATIONAL
STANDARD

ISO
13478

First edition
1997-05-01

Thermoplastics pipes for the conveyance of fluids — Determination of resistance to rapid crack propagation (RCP) — Full-scale test (FST)

Tubes en matières thermoplastiques pour le transport des fluides — Détermination de la résistance à la propagation rapide de la fissure (RCP) — Essai grandeur nature (FST)

MAHCO



Reference number
ISO 13478:1997(E)

MEHR AB HAYAT SANAAT KERMAN
www.MAHCOpipe.com

EN ISO 13478 : 1997**Foreword**

ISO (the International Organization for Standardization) is a worldwide federation of national standards bodies (ISO member bodies). The work of preparing International Standards is normally carried out through ISO technical committees. Each member body interested in a subject for which a technical committee has been established has the right to be represented on that committee. International organizations, governmental and non-governmental, in liaison with ISO, also take part in the work. ISO collaborates closely with the International Electrotechnical Commission (IEC) on all matters of electrotechnical standardization.

Draft International Standards adopted by the technical committees are circulated to the member bodies for voting. Publication as an International Standard requires approval by at least 75 % of the member bodies casting a vote.

International Standard ISO 13478 was prepared by Technical Committee ISO/TC 138, *Plastics pipes, fittings and valves for the transport of fluids*, Subcommittee SC 5, *General properties of pipes, fittings and valves of plastic materials and their accessories — Test methods and basic specifications*.

Annexes A and B form an integral part of this International Standard.

The logo for MAHCO is a large, light blue graphic consisting of several overlapping, angular shapes that form a stylized, abstract representation of the letters 'M' and 'H'. Below this graphic, the word 'MAHCO' is written in a large, bold, light blue serif font.

Descriptors: fluid pipelines, pipes (tubes), thermoplastic resins, plastic tubes, cracking (fracturing), crack propagation, tests, cracking tests, determination, crack strength, test report sheets.

Thermoplastics pipes for the conveyance of fluids — Determination of resistance to rapid crack propagation (RCP) — Full-scale test (FST)

1 Scope

This International Standard specifies a full-scale method of test for determination of arrest or propagation of a crack initiated in a thermoplastics pipe at a specified temperature and internal pressure.

It is applicable to the assessment of the performance of thermoplastics pipes intended for the supply of gases or liquids, in the latter case when air may also be present in the pipe.

2 Normative references

The following standards contain provisions which, through reference in this text, constitute provisions of this International Standard. At the time of publication, the editions indicated were valid. All standards are subject to revision, and parties to agreements based on this International Standard are encouraged to investigate the possibility of applying the most recent editions of the standards indicated below. Members of IEC and ISO maintain registers of currently valid International Standards.

ISO 1167:1996, *Thermoplastics pipes for the conveyance of fluids — Resistance to internal pressure — Test method.*

ISO 3126:1974, *Plastics pipes — Measurement of dimensions.*

ISO 11922-1:1997, *Thermoplastics pipes for the conveyance of fluids — Dimensions and tolerances — Part 1: Metric series.*

3 Definitions

For the purposes of this International Standard, the definitions given in ISO 11922-1 apply.

4 Principle

A thermoplastics pipe, maintained at a specified temperature and containing a fluid at a specified test pressure, is subjected to an impact designed to initiate a crack.

EN ISO 13478 : 1997

The test temperature and test pressure are as defined in the referring standard.

The fluid is identical to that used in the intended application, or is a substitute fluid which gives equivalent results.

The test simulates the performance of a buried pipe in service under conditions which do not retard the rate of decompression of the pressurizing fluid through any fracture.

The pipe is subsequently examined to determine whether arrest or propagation of the crack has occurred.

From a series of such tests at different pressures but at constant temperature, a critical pressure or critical stress for crack propagation can be determined (see annex A for further information).

Similarly, by testing at a series of temperatures whilst maintaining a constant pressure or hoop stress, the critical temperature for crack propagation can be determined (see annex B for further information).

5 Test parameters

It is assumed that the following parameters will be set by the referring product standard:

- a) the diameter(s) and series of the pipe(s) to be tested;
- b) the pressurizing fluid (6.4), e.g. gas, water, water plus air;
- c) the test pressure(s);
- d) the test temperature(s).

6 Materials

6.1 Methylated spirits, for use as a cooling fluid (see 7.4.3).

6.2 Solid carbon dioxide, for use as a cooling agent (see 7.4.3).

6.3 Washed gravel, with a size range of 20 mm to 40 mm diameter (see clause 9).

6.4 Pressurizing fluid, which shall be as specified in the referring standard.

NOTES

1 It is satisfactory to use nitrogen or air as the pressurizing fluid instead of natural gas, as the measured pressure for rapid crack propagation (RCP) will be only slightly less than that obtained with natural gas. The decompression speed (velocity of sound) at 0 °C of nitrogen and air is 337 m/s and 334 m/s, respectively, compared with approximately 430 m/s for natural gas.

2 In water-pipeline systems which contain water only, the phenomenon of crack propagation is unlikely to occur. However, when entrained air bubbles or air pockets are present it is possible. It is usual to test with between 5 % and 10 % by volume of air in the water to determine the resistance to crack propagation. A test on water pipe using 100 % gas or air should be expected to give a pessimistic result.

7 Apparatus

7.1 Temperature-controlled trough, capable of accommodating the minimum test-pipe length of 14 m. The trough shall have means for maintaining the temperature specified by the referring standard to within $\pm 1,5$ °C along the whole test-pipe length by means of a water-recirculation system around the test pipe (see figure 1). If necessary, the water shall contain an antifreeze to avoid ice build-up round the test pipe.

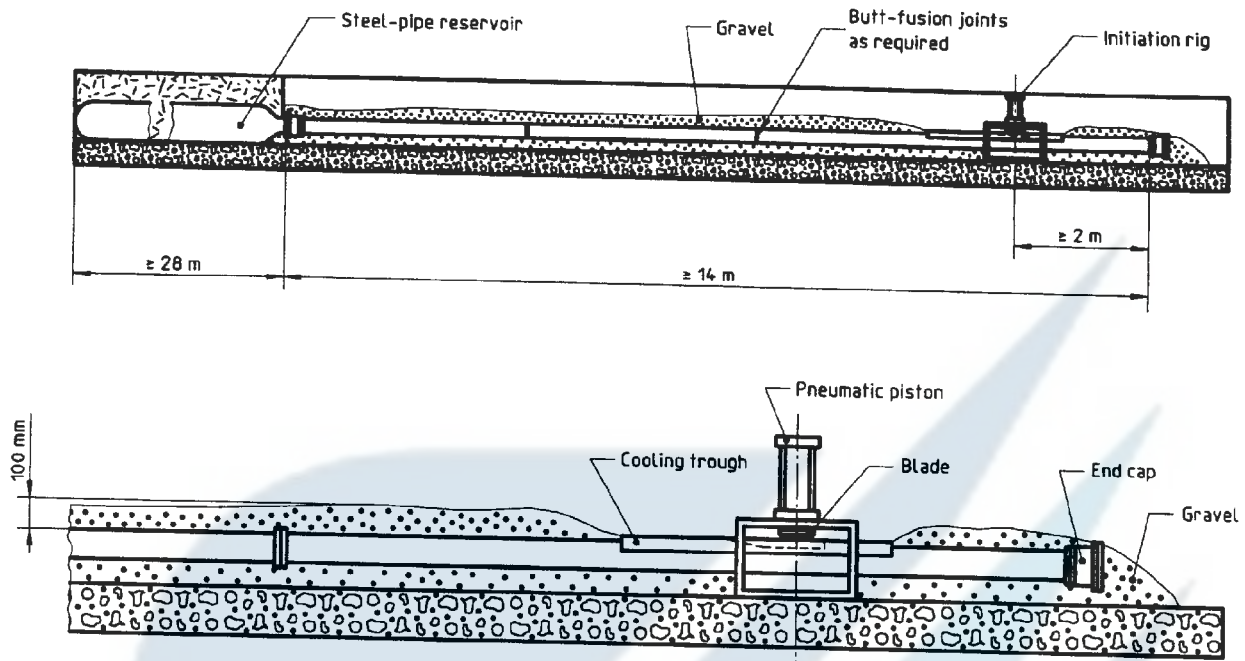


Figure 1 — Example of a test facility for full-scale rapid crack propagation

7.2 Steel-pipe reservoir, connected to the test pipe at one end of the trough. The steel pipe shall have a bore diameter equal to or greater than the test-pipe bore diameter. The pipe reservoir shall have a minimum length of twice that of the test pipe and a minimum volume of three times that of the test pipe.

7.3 Pressurization equipment, for pressurizing the test pipe and steel reservoir (7.2) with the test fluid (6.4) to within $\pm 2\%$ of the test pressure specified by the referring standard.

7.4 Crack-initiation equipment.

7.4.1 Router, capable of machining a longitudinal groove to an appropriate depth in the test-pipe wall for approximately 500 mm and then gradually decreasing the groove depth to zero over approximately 250 mm (see figure 2).

7.4.2 Metal blade, which can be aligned with the external groove in the test pipe and be driven through the residual pipe-wall thickness.

NOTE — A 400-mm-long steel blade driven by a fast-acting pneumatic piston has been found to be suitable for polyethylene pipe (see figure 3).

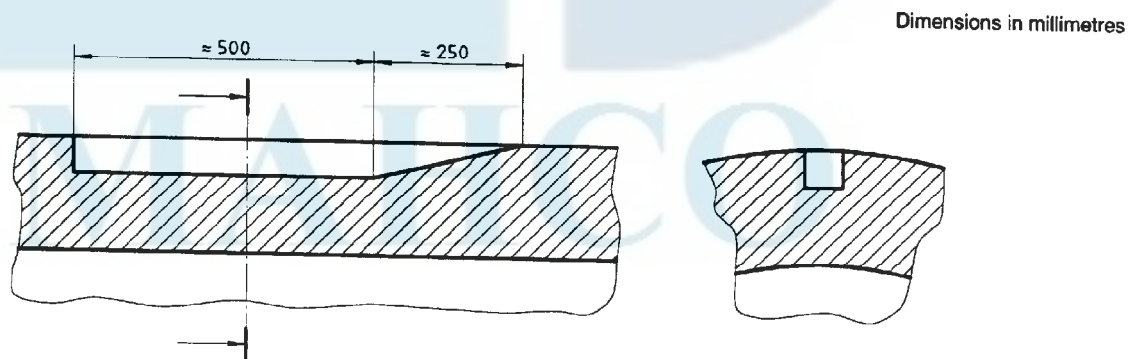


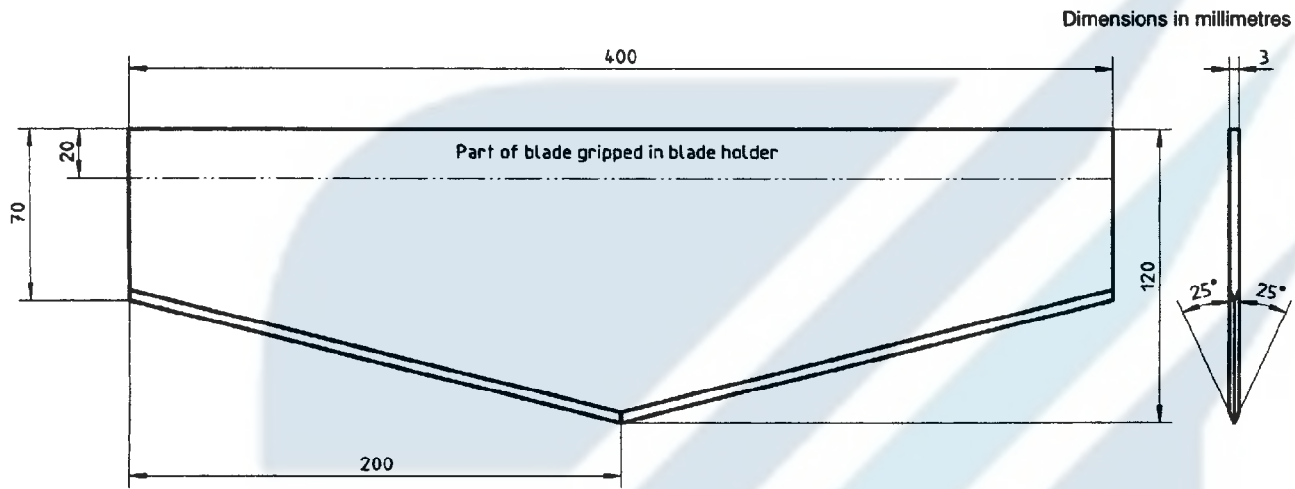
Figure 2 — Groove machined in external pipe wall

EN ISO 13478 : 1997

7.4.3 Cooling system, designed to apply methylated spirits cooled by solid carbon dioxide to the top of the pipe to cool a strip of pipe either side of the groove and approximately 1 m in the direction of the steel-pipe reservoir. It is recommended to use a wooden frame, resting on the top of the pipe and lined with a thin polyethylene sheet, to contain the cooling fluid (see figure 4).

7.4.4 Close-fitting wooden plug, approximately 0,5 m long, to support the test pipe internally beneath the groove sufficiently to prevent severe pipe distortion during crack initiation (see figure 4).

The top of the wooden plug shall have a recess containing compressible foam. The foam shall be compressed to maintain close contact with the pipe bore beneath the groove, even during pressurization. This will ensure that the wooden plug stays in position. Moreover, it will enable the full thickness of the groove ligament to be properly cooled by the cooling fluid (see 7.4.3) by insulating this part of the pipe bore from the pressurizing fluid.



NOTE — Blade sharpened by light grinding.

Figure 3 — Steel blade found to be suitable for initiating a crack in polyethylene pipe

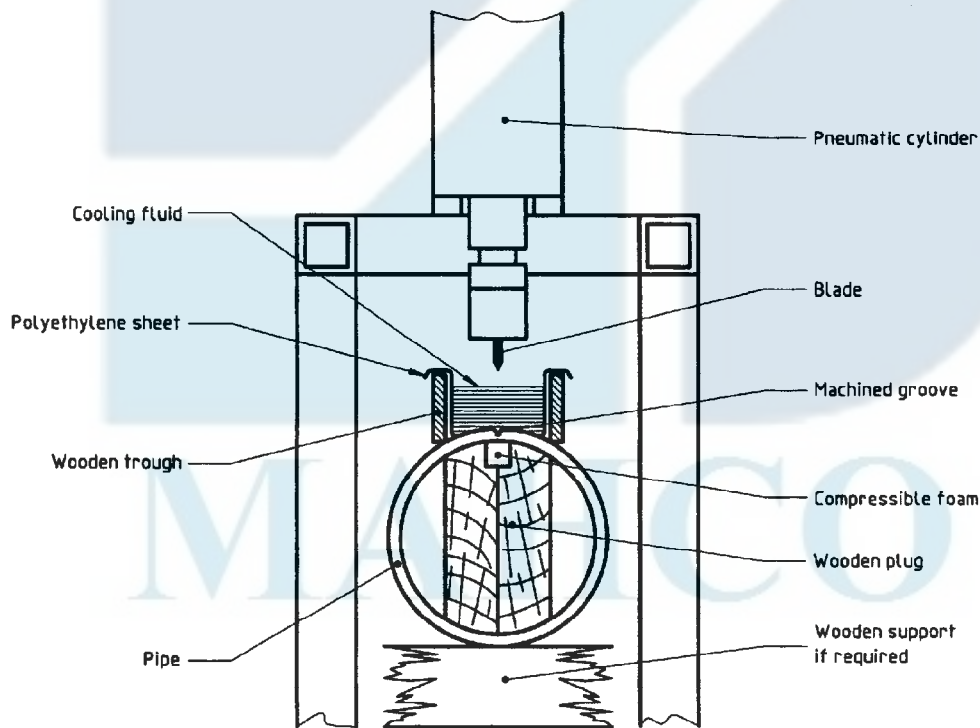


Figure 4 — Example of the crack-initiation position

8 Test-pipe preparation

If required, joint straight sections of pipe together by butt fusion to produce a test pipe of minimum length 14 m.

Measure the location of any butt-fusion joint.

Insert the wooden plug (7.4.4) and locate it underneath the position where the groove will be produced. The centre of the groove shall be at least 2 m from the pipe end.

Fit, to the end of the test pipe nearest the groove, an end cap which will withstand the end load from the test pressure (see figure 1).

Lay the test pipe in the trough and connect the other end of the test pipe to the steel-pipe reservoir (7.2). Ensure visually that the test pipe is straight.

Within the zone supported by the wooden plug, use the router to machine, in the external surface of the test pipe, a longitudinal groove having a depth which is constant for approximately 500 mm. Then decrease the depth gradually to zero over approximately 250 mm in the direction of the steel-pipe reservoir (see figure 2).

When testing highly RCP-resistant pipes, part of the pipe test section can be replaced by a crack-initiation pipe of a lower RCP resistance but of the same nominal diameter and wall thickness. The crack-initiation pipe shall replace the test pipe from the end cap to a distance of approximately 3 m beyond the crack-initiation position. A butt-fusion joint shall be used to connect the two pipes. It is not necessary to remove the external or internal beads.

The groove depth shall be chosen to create a sufficiently high stress to initiate a high-speed crack in the remaining ligament which will be at a temperature of approximately -60°C . However, the groove shall not be so deep that premature failure during pipe pressurization represents a safety hazard.

NOTE — A ligament stress of 20 MPa to 25 MPa has been found to be suitable for polyethylene pipes. In general, it is then not possible to pressurize the test pipe unless the groove ligament is also cooled to approximately -60°C .

9 Conditioning and backfill

Place gravel (6.3) round the pipe, covering it to a depth of 100 mm except for the top of the pipe around the crack-initiation position.

Place cross-beams lightly on the crown of the pipe at intervals of 1 m to 1,5 m and fasten them to the trench wall to ensure that the pipe will not rise and thus create significant bending stresses when the trough is filled with water. Omit the cross-beams when they would interfere with the wooden frame (see 7.4.3).

Fill the trough with water, if necessary containing a suitable quantity of antifreeze, to just below the level of the gravel.

Circulate the water along the trough, through the gravel and round the cooling system until the test temperature, as specified in the referring standard, is established to within $\pm 1,5^{\circ}\text{C}$ all along the pipe.

The conditioning time shall be at least the conditioning time defined in ISO 1167 for the appropriate pipe wall thickness. Any conditioning fluids shall not affect the properties of the test pipe.

Maintain the test temperature within the tolerance range for a minimum period of 1 h immediately before testing in accordance with clause 10. The temperature shall be measured at intervals of approximately 2 m alternating along either side of the test pipe from the end of the wooden frame to the steel-pipe reservoir.

EN ISO 13478 : 1997**10 Test procedure**

10.1 Cool the crack-initiation groove with the mixture of methylated spirits and solid carbon dioxide (see 7.4.3) at approximately $-60\text{ }^{\circ}\text{C}$ for at least 1 h to ensure that the full wall thickness around the groove and 1 m in the direction of the steel-pipe reservoir are adequately cooled.

10.2 Pressurize the test pipe and reservoir with the specified test fluid to the test pressure to within $\pm 2\%$. If the test fluid is not entering the pipe at approximately the specified test temperature, then an additional pipe-conditioning period will be required to ensure that the test pipe is uniformly at the test temperature both internally and externally.

NOTES

1 Once the test pipe starts to be pressurized, then there is a potentially serious hazard from premature bursting of the pipe and thrown gravel.

2 During the additional cooling period, there must, of course, be sufficient cooling fluid (see 7.4.3) to maintain the temperature of the groove ligament at $-60\text{ }^{\circ}\text{C}$.

10.3 Initiate cracking by driving the metal blade through the cooled, grooved section of the pipe where the groove is at full depth and the pipe is supported by the wooden plug (see figure 2).

10.4 Recover the test pipe and measure the longitudinal distance travelled by all the cracks from the centre of crack-initiation. When a crack-initiation pipe is used (see clause 8), the crack lengths are measured from the butt-fusion joint between the initiation pipe and the test pipe.

11 Interpretation of results

Crack arrest is defined as having taken place when the length of the longest crack is less than or equal to 90 % of the length of the test pipe.

Rapid crack propagation (RCP) is defined as having taken place when the length of the longest crack is greater than 90 % of the length of the test pipe.

12 Validity of results

For each test pipe, the longest crack shall meet all the following conditions:

- the crack shall travel beyond the cooled section of pipe round the groove, i.e. approximately 1,5 m from the centre of initiation;
- the crack shall not terminate by travelling completely round the pipe circumference so that it rejoins the original crack;
- the crack shall not terminate at a butt-fusion joint within the test pipe;
- when using a crack-initiation pipe (see clause 8), the crack shall propagate completely along the initiation pipe and enter the test pipe.

13 Test report

The test report shall include the following information:

- a reference to this International Standard and to the referring standard;
- all details necessary for complete identification of the test pipe and, if used, the crack-initiation pipe, including the manufacturer, the polymer used for manufacture, the production date and the identification marking on the pipe;

- c) the nominal pipe diameter and pipe series;
- d) the test-pipe length and, if used, the crack-initiation pipe length;
- e) the test pressure;
- f) the test temperature;
- g) the location(s) of the butt-fusion joint(s), if any;
- h) the crack lengths;
- i) a statement as to whether rapid crack propagation or arrest occurred;
- j) the date of test;
- k) details of any factors which may have affected the results, such as any incidents or any operations not specified in this International Standard.



MAHCO



Annex A (normative)

Determination of critical pressure (or hoop stress)

A.1 General

A single test which results in crack arrest indicates that the critical pressure for propagation is greater than the test pressure.

The following method is recommended for determining, at a given temperature, the critical pressure (or hoop stress) above which a crack initiated through the wall of a thermoplastics pipe will propagate steadily along the pipe.

A.2 Symbols

p	Test pressure, in bars
p_c	Critical pressure, in bars
σ_c	Critical hoop stress, in megapascals
d_{em}	Mean outside diameter of test pipe, in millimetres
D	Average of the mean outside diameters d_{em} , in millimetres
e_t	Mean wall thickness of test pipe along (main) crack, in millimetres

A.3 Principle

A series of tests at various pressures but constant temperature is used to determine the critical pressure (or critical hoop stress) at which there is a sharp transition from abrupt arrest of an initial crack to continued steady propagation of the crack.

A.4 Procedure

A.4.1 General

Using a range of test pressures, and following the procedure in clause 10, obtain sufficient results conforming to clause 11 and clause 12 and

- a) at least one test result with the longest crack being at least 90 % of the test-pipe length, i.e. rapid crack propagation;
- b) at least one test result with crack arrest.

NOTE — The critical pressure for rapid crack propagation must be exceeded to validate the crack-initiation system, otherwise it is impossible to distinguish between the arrest conditions and some defect in the crack-initiation system.

A.4.2 Critical hoop stress

A.4.2.1 Preparation

Using a π -tape, measure the mean outside diameter d_{om} , in accordance with ISO 3126, at 3 m to 4 m intervals along the test pipe.

Include at least one measurement of each pipe section used to make up the test pipe using butt-fusion joints.

Calculate and record the average of these results as D .

A.4.2.2 After testing

Measure the wall thickness, in accordance with ISO 3126, at intervals along the test pipe adjacent to the crack path, or main crack path if there is more than one. Record the individual wall-thickness values, and calculate and record the mean value e_t .

A.5 Analysis to determine critical pressure

It is useful to plot a graph of test pressure against crack length (see figure A.1).

The critical pressure p_c is defined as the highest crack-arrest pressure below the lowest crack-propagation pressure.

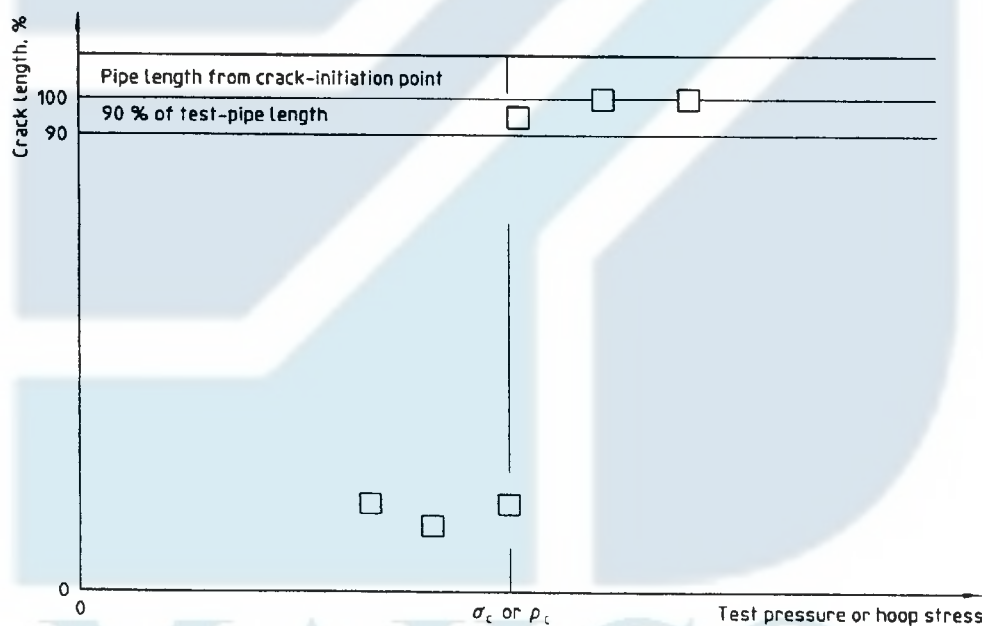


Figure A.1 — Typical test-data plot to determine the critical pressure or critical hoop stress (p_c or σ_c)

EN ISO 13478 : 1997**A.6 Analysis to determine critical hoop stress**

For each test pipe, calculate the hoop stress σ , in megapascals, using the following equation:

$$\sigma = \frac{p(D - e_t)}{20e_t}$$

where

- p is the test pressure, in bars;
- D is the average of the mean outside diameters d_{em} of the pipe sections, in millimetres (see A.4.2.1);
- e_t is the mean wall thickness of the test pipe along the (main) crack, in millimetres.

Plot a graph of hoop stress against crack length (see figure A.1).

The critical hoop stress σ_c is defined as the highest crack-arrest hoop stress below the lowest crack-propagation hoop stress.

NOTE — It is recommended that the test pressures be chosen alternately above and below the expected value of p_c or σ_c .

A.7 Test report — Additional requirements

A.7.1 In the case of critical-pressure determinations, the test report shall include the following additional information:

- the estimated critical pressure p_c , in bars.

A.7.2 In the case of critical hoop stress determinations, the test report shall include the following additional information:

- a) the individual wall thicknesses of the test pipe measured along the (main) crack path, in millimetres;
- b) the mean wall thickness e_t of the test pipe along the (main) crack path, in millimetres;
- c) the mean outside diameters d_{em} of the test pipe, in millimetres;
- d) the average D of the mean outside diameters d_{em} of the test pipe, in millimetres;
- e) the plot of hoop stress against crack length;
- f) the estimated critical hoop stress σ_c , in megapascals.

MAHCO

Annex B (normative)

Determination of the critical temperature

A single test which results in crack arrest indicates that the critical temperature for crack propagation is lower than the test temperature.

A series of tests similar to those in annex A, on a particular type of thermoplastics pipe, may be conducted at a constant pressure or constant hoop stress to determine the critical temperature.

This can be a useful technique, as it is almost always possible to obtain both crack-arrest and propagation conditions and therefore the critical temperature. In comparison, for some thermoplastics pipes, at temperatures at or above 0 °C, rapid crack propagation may not be possible at any pressure and so the critical pressure cannot be determined.

The critical temperature T_c is defined as the lowest crack-arrest temperature above the highest crack-propagation temperature (see figure B.1).

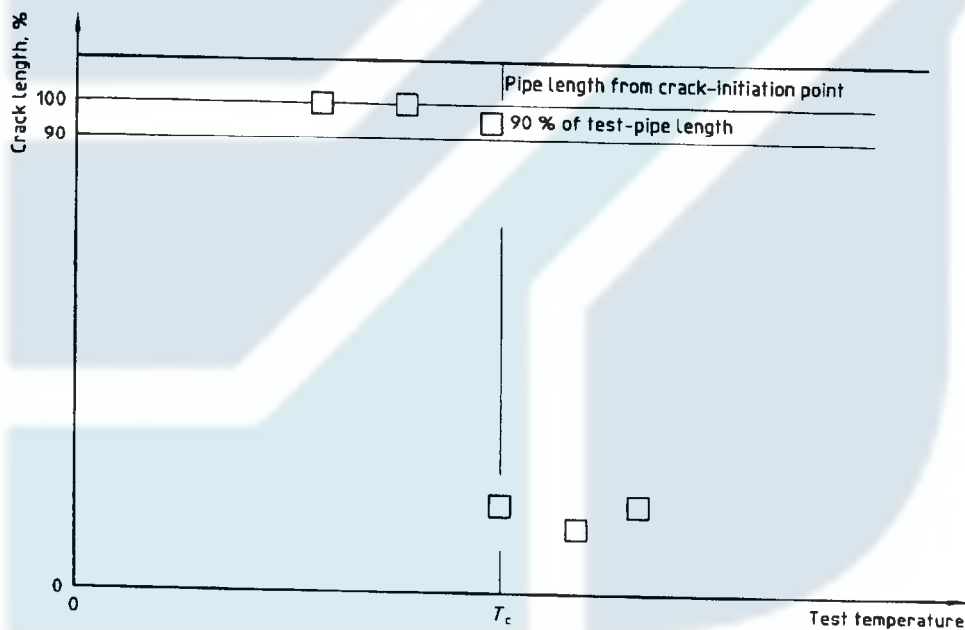


Figure B.1 — Typical test-data plot to determine the critical temperature T_c

**BS EN ISO
13478 : 1997
BS 2782 :
Part 11 :
Method 1109R :
1997**

BSI — British Standards Institution

BSI is the independent national body responsible for preparing British Standards. It presents the UK view on standards in Europe and at the international level. It is incorporated by Royal Charter.

Contract requirements

A British Standard does not purport to include all the necessary provisions of a contract. Users of British Standards are responsible for their correct application.

Revisions

British Standards are updated by amendment or revision. Users of British Standards should make sure that they possess the latest amendments or editions.

It is the constant aim of BSI to improve the quality of our products and services. We would be grateful if anyone finding an inaccuracy or ambiguity while using this British Standard would inform the Secretary of the responsible technical committee, the identity of which can be found on the inside front cover. Tel: 0181 996 9000; Fax: 0181 996 7400.

BSI offers members an individual updating service called PLUS which ensures that subscribers automatically receive the latest editions of standards.

Buying standards

Orders for all BSI, international and foreign standards publications should be addressed to Customer Services, Sales Department at Chiswick: Tel: 0181 996 7000; Fax: 0181 996 7001.

In response to orders for international standards, it is BSI policy to supply the BSI implementation of those that have been published as British Standards, unless otherwise requested.

Information on standards

BSI provides a wide range of information on national, European and international standards through its Library, the Standardline Database, the BSI Information Technology Service (BITS) and its Technical Help to Exporters Service. Contact the Information Department at Chiswick: Tel: 0181 996 7111; Fax: 0181 996 7048.

Subscribing members of BSI are kept up to date with standards developments and receive substantial discounts on the purchase price of standards. For details of these and other benefits contact Customer Services, Membership at Chiswick: Tel: 0181 996 7002; Fax: 0181 996 7001.

Copyright

Copyright subsists in all BSI publications. BSI also holds the copyright, in the UK, of the publications of the international standardization bodies. Except as permitted under the Copyright, Designs and Patents Act 1988 no extract may be reproduced, stored in a retrieval system or transmitted in any form or by any means – electronic, photocopying, recording or otherwise – without prior written permission from BSI.

This does not preclude the free use, in the course of implementing the standard, of necessary details such as symbols, and size, type or grade designations. If these details are to be used for any other purpose than implementation then the prior written permission of BSI must be obtained.

If permission is granted, the terms may include royalty payments or a licensing agreement. Details and advice can be obtained from the Copyright Manager, BSI, 389 Chiswick High Road, London W4 4AL.

BSI
389 Chiswick High Road
London
W4 4AL